

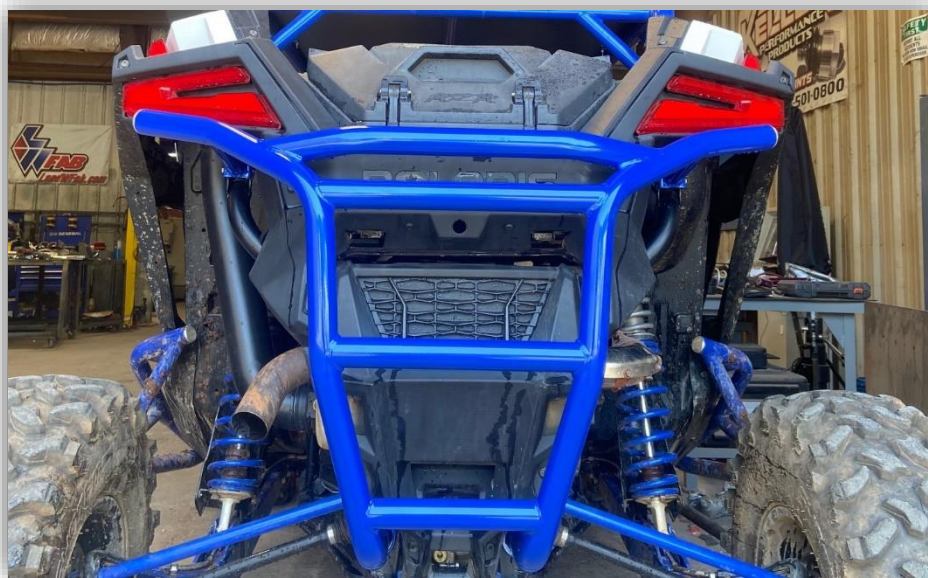


Made for first. Built to last.

DISCLAIMER:
PRODUCTS MADE BY L AND W FAB AND MACHINE INC. ARE INTENDED TO FIT YOUR STOCK UTV UNLESS OTHERWISE SPECIFIED. INSTALLING, MODIFYING, OR REMOVING ANY COMPONENTS (FACTORY OR AFTERMARKET) NOT SUPPORTED BY L AND W AND THE INSTRUCTIONS HEREIN WILL VOID YOUR WARRANTY. FOR MORE INFORMATION ON INSTALLATION, WARRANTY, OR PRODUCT USE PLEASE CALL US AT (770) 445-9778

Polaris RZR PRO XP REAR BUMPER

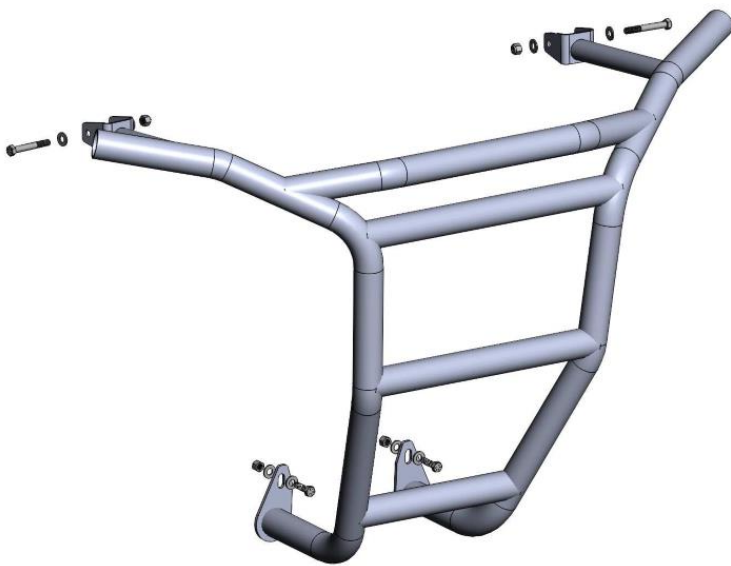
Fitment: 2020-CURRENT PRO XP



INSTALLATION MANUAL

Parts List:

Item #	Description	Qty.
1	REAR BUMPER	1
2	3/8 LOCKNUT	4
3	3/8 SAE FLAT WASHER	8
4	3/8 X 2-3/4 HEX BOLT	2
5	3/8 X 1-1/4 HEX BOLT	2



Installation:

STEP 1:

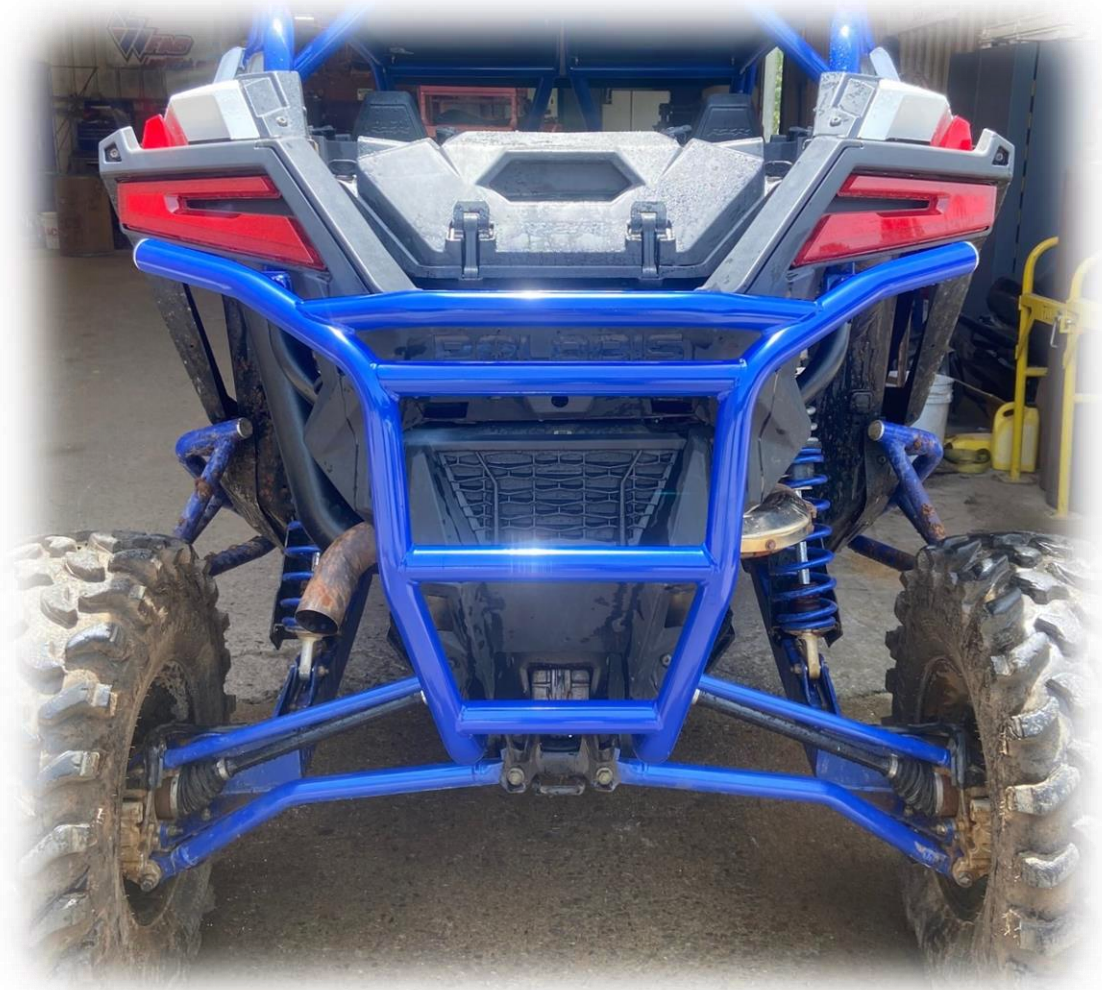
Hold bumper up to machine and align the upper clevis mounts onto frame and place the longer bolts through the clevis into the frame. Use a flat washer on both sides of bolt followed by a locknut.



STEP 2:

Install the shorter bolts into the lower frame. Use a washer on both sides.





THANK YOU FOR CHOOSING L&W FAB!