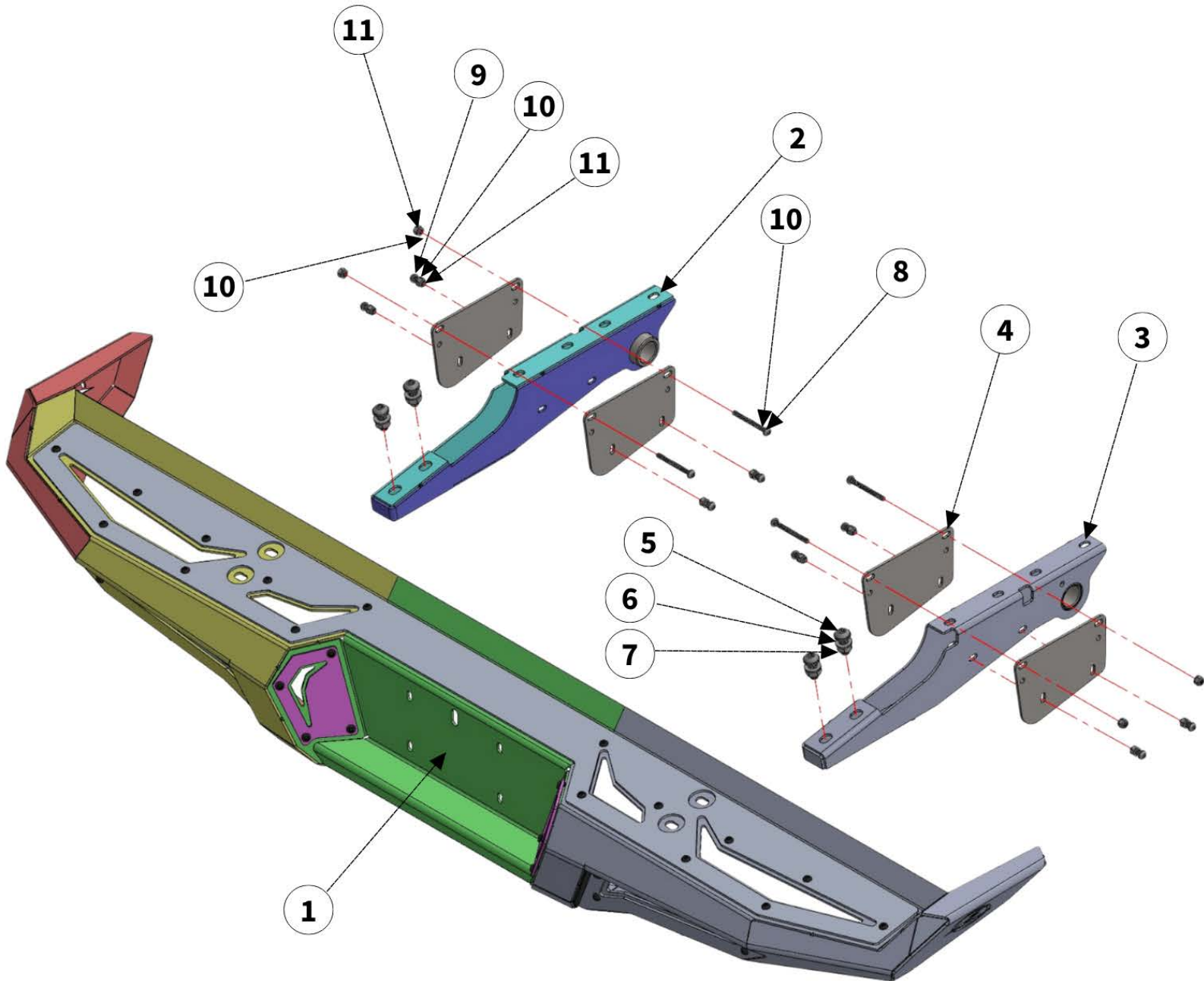
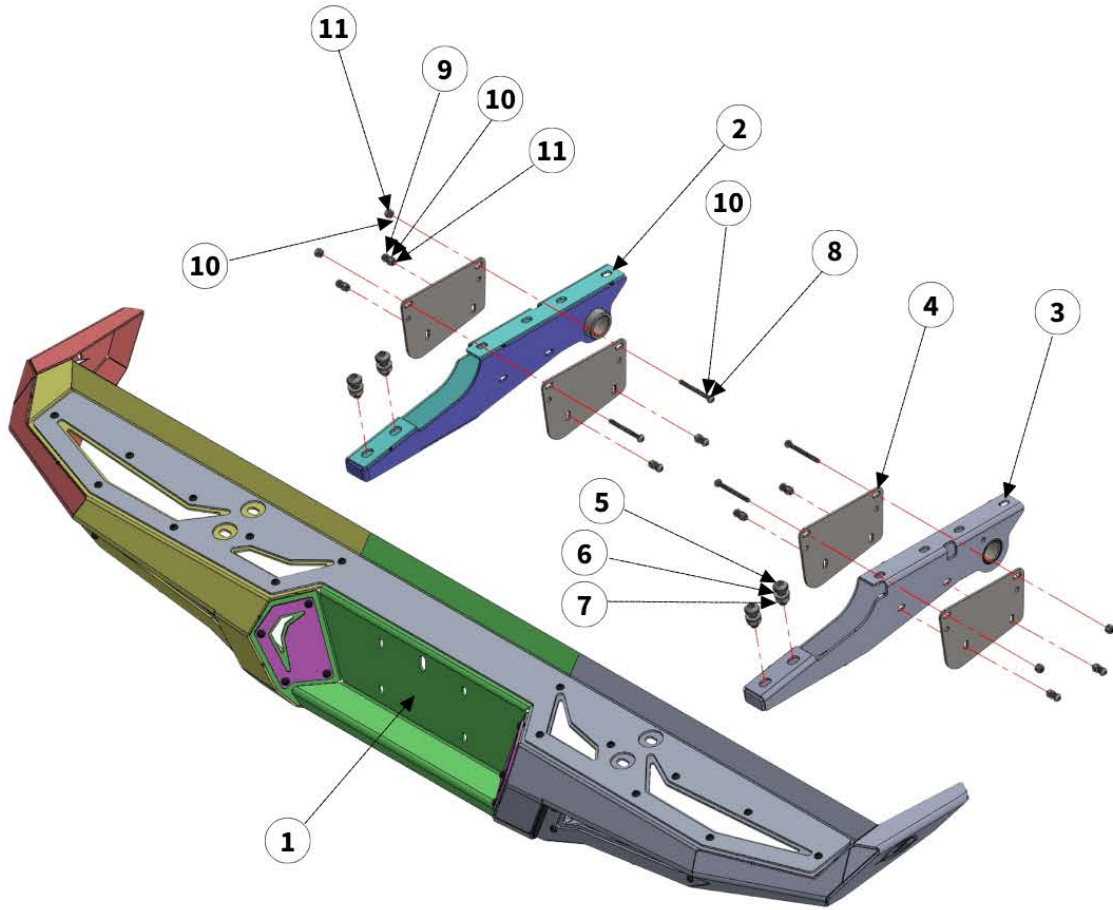
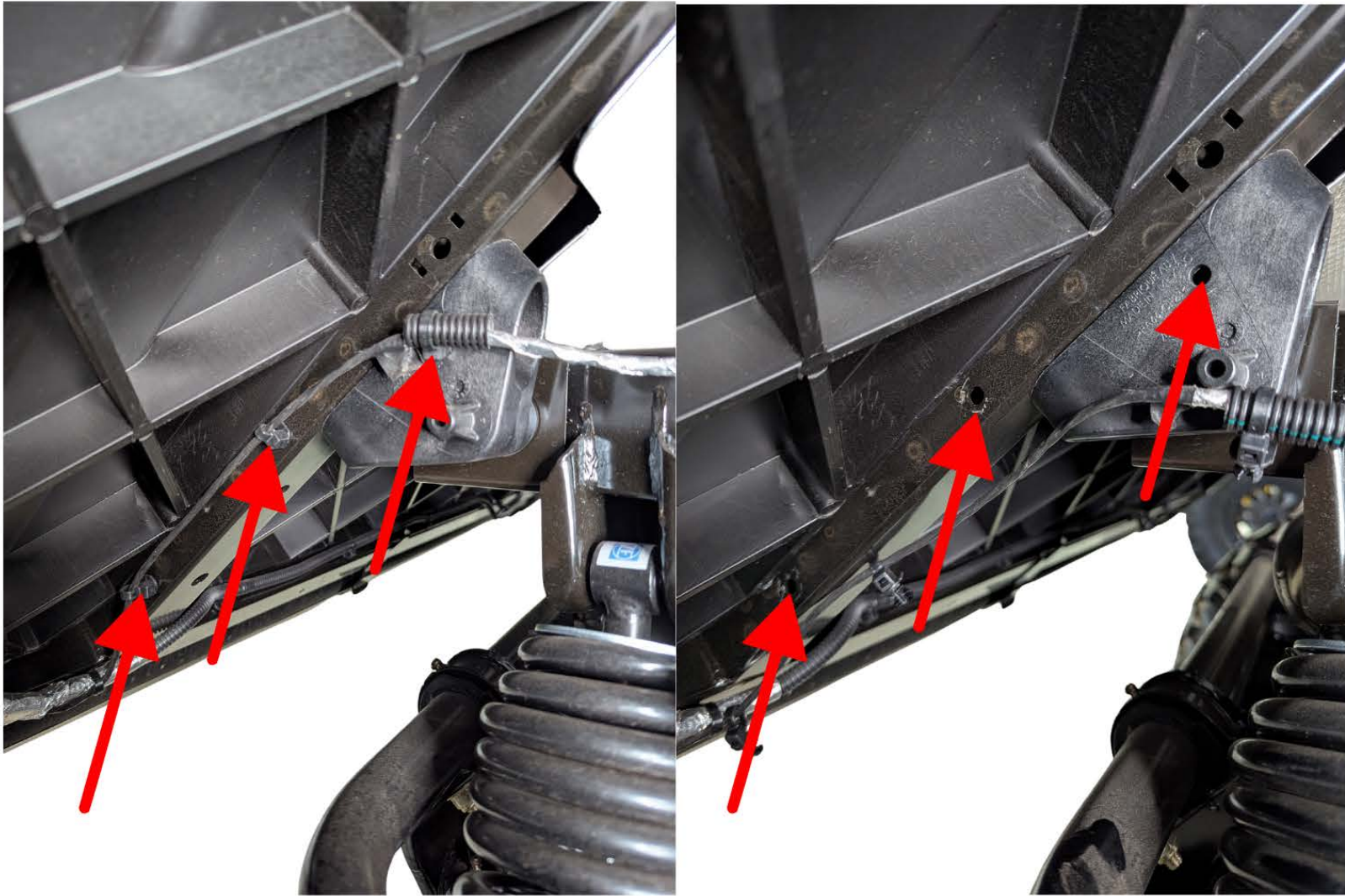


Can Am Defender Volt Rear Bumper CDRBA0001

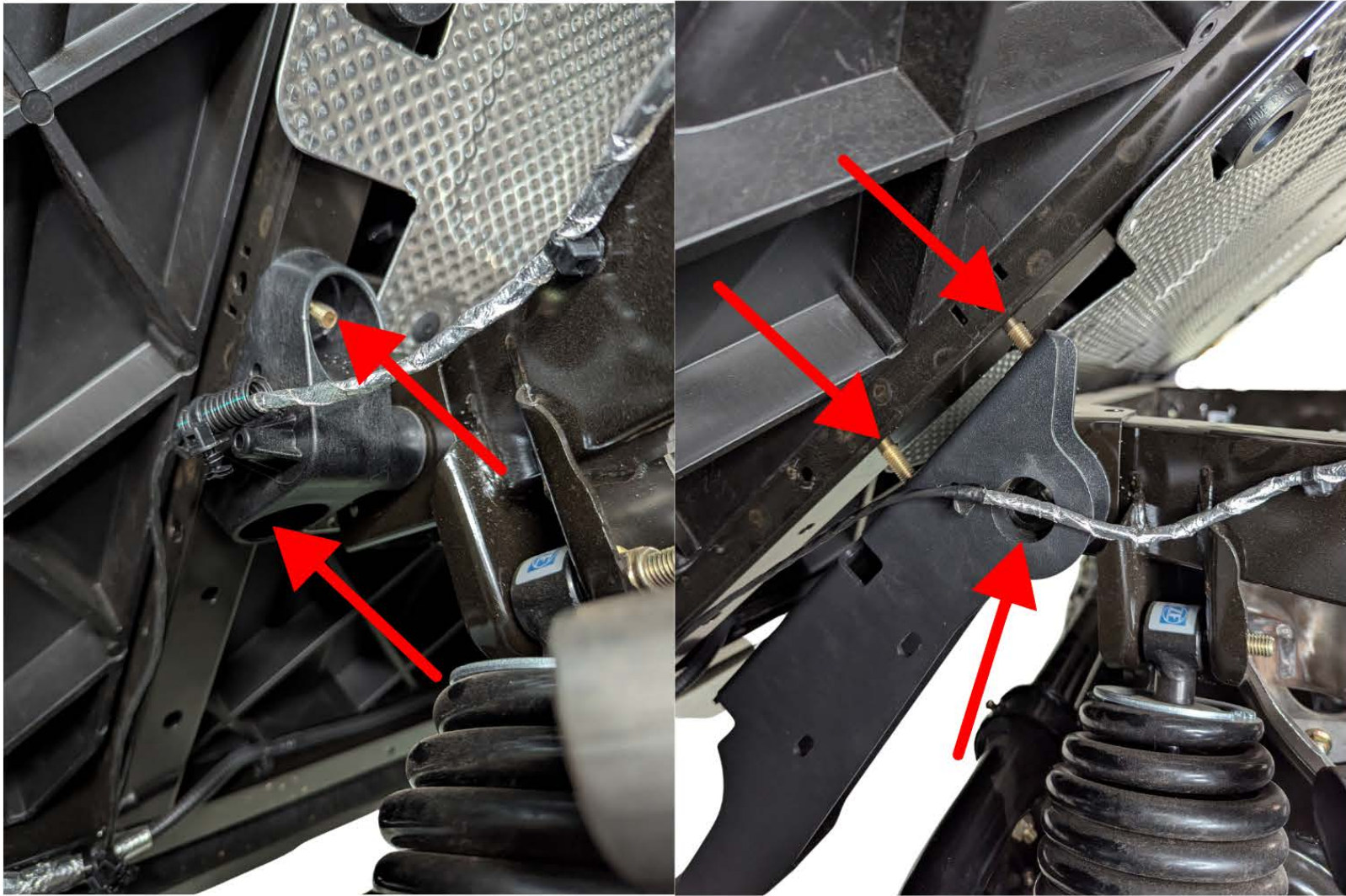




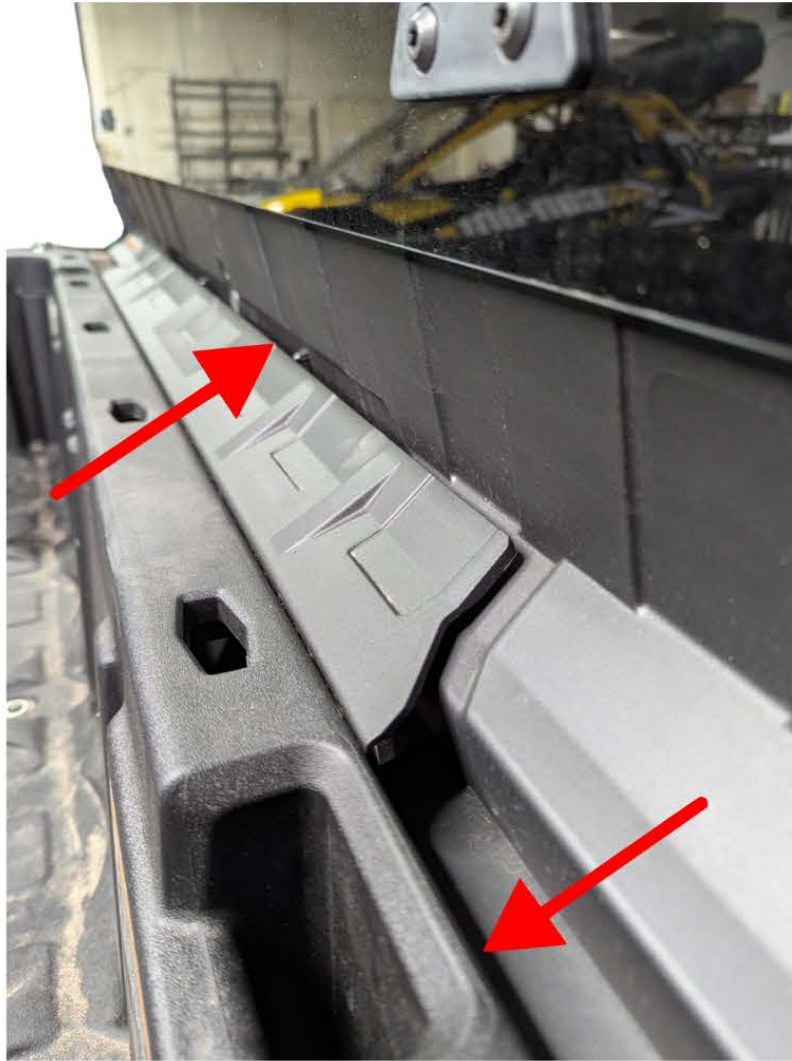
ITEM #	DESCRIPTION	QTY
1	BUMPER ASSEMBLY	1
2	LEFT BRACKET	1
3	RIGHT BRACKET	1
4	SUPPORT PLATE	4
5	M10 X 1.5 X 30MM BUTTON HEAD BOLT	4
6	M10 WASHER	8
7	M10 NYLOCK NUT	4
8	M6 X 1.0 X 55MM BUTTON HEAD BOLT	4
9	M6 X 1.0 X 18MM BUTTON HEAD BOLT	8
10	M6 WASHER	24
11	M6 NYLOCK NUT	12
***	GREASE FOR HINGES	1



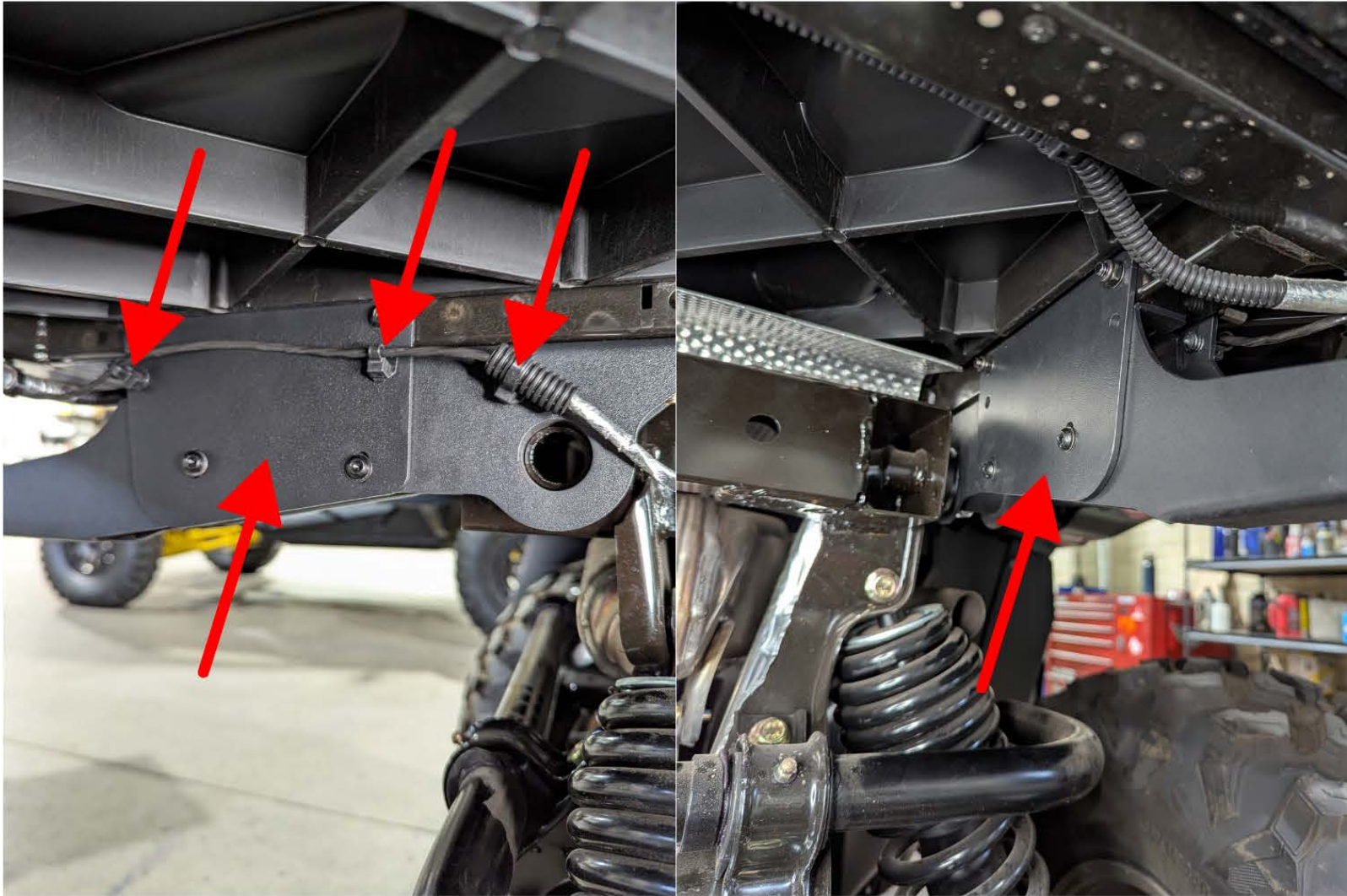
First, lift the dump bed into its upright position to expose the hinges and allow for easy access to the hardware. Carefully remove the 3 push in wire harness clips and then allow the harness to hang out of the way of the hinge itself.



Remove the 2 nuts and washers from one hinge at a time and locate the appropriate bracket for the side of the vehicle you are working on (#2, #3), Use the included lubricant and apply to the inside portion of our bracket that slides over the vehicles frame. Carefully lift upward on the side of the bed and replace the factory hinge with our improved metal hinge bracket, re-install the factory nuts removed earlier but leave loose enough to allow shifting of the bed in a later step. Make sure while you are lifting the bed to not have it shift to the side and knock the other hinge off its post. Repeat with the other hinge and then continue to the next steps.



Once both hinges are installed and the factory hardware is snug but can allow for slight movement, carefully lower the bed back into its normal down position and then push the bed forward towards the cab if needed to get the bed square and aligned with the vehicles body. Once the bed is in an acceptable spot go ahead and tighten down the 4 hinge bolts and proceed to the next steps.



Next, install the side plates #4 as shown in the images above and using the supplied hardware #8, #9, #10, #11 go ahead and get everything started. Once all 4 plates and hardware are started you can now tighten everything down before securing the harness to the outside plate on the passenger side of the vehicle with the same 3 push in clips that were pulled out of the vehicles frame earlier. Be aware that the 3rd push in clip goes into the hinge bracket itself and the other 2 go into the outer bracket like mentioned in a previous sentence.



Carefully set the bumper assembly #1 onto the two brackets as shown above and loosely install the supplied hardware #5, #6, #7, next align the bumper to the vehicles frame and then the 4 bolts that secure the bumper to the brackets can be tightened down. If installing a license plate and frame go ahead and complete that task now and get your wiring ran.



Perform a check over of any work performed and any hardware that was handled during the installation process before enjoying another great product from Elektric Offroad Designs!